

BAXI



LUNA 3 COMFORT

SPARE PARTS CATALOGUE

- October 2011 -



HOW TO READ THE SPARE PARTS CATALOGUE

In the spare part catalogue, after the exploded diagrams, there are the components lists of the boilers; this is the meaning of the different columns:

- Pos.** Identification number of the component in the exploded diagram of the boiler.
- Description** Short description of the component.
- Code** BAXI S.p.A. code of the component.
- Tab. XX** XX is the exploded diagram number of the boiler taken into consideration.
- From serial number** Date (year and week) identifying the beginning of production of a component (taken from the serial number of the boiler).
e.g. B005: year 2000 (B identifies the decade 2000-2009; 0 identifies the year) – 5th week.
If the box is empty, the component is in use from the beginning of production of the boiler.
- To serial number** Date (year and week) identifying the end of production of a component (taken from the serial number of the boiler).
e.g. B012: year 2000 (B identifies the decade 2000-2009; 0 identifies the year) – 12th week.
If the box is empty, the component is still in use.
- Interchangeable** It identifies the interchangeability between the new component and the old one.
YES: components are interchangeable.
NO: components are not interchangeable.

BOILERS CONNECTION BOARD - EXPLODED VIEW

TABELLA COLLEGAMENTO CODICE CALDAIA - ESPLOSO

TABLERO UNIÓN CALDERA - EXPLOSIONADO

TABLEAU CONNECTION CODEX CHAUDIERE - VUE ECLATEE

BOILER CODE	BOILER DESCRIPTION	EXPLODED REF.
CODICE CALDAIA	DESCRIZIONE CALDAIA	RIF. ESPLOSO
CODIGO CALDERA	DESCRIPCION CALDERA	REF. EXPLOSIONADO
CODE CHAUDIERE	DESCRIPTION CHAUDIERE	RÉF. EXPLOSÉE
CUD455311580	LUNA3 COMFORT 1.310 Fi GPL	Tab 273
CUD455313580	LUNA3 COMFORT 1.310 Fi	Tab 273
CUD456311580	LUNA3 COMFORT 310 Fi GPL	Tab 274
CUD456311581	LUNA3 COMFORT 310Fi (CAN)GPL	Tab 334
CUD456313580	LUNA3 COMFORT 310 Fi	Tab 274
CUD456313581	LUNA3 COMFORT 310Fi CANADA	Tab 334

LUNA3 COMFORT

Pos	Code	Description code	Part Numbers						To serial number	From serial number	Interchangeable:
			CUD56313581 310F7	CUD56313580 310F7	CUD56313580 310F7	CUD56313581 310F7 GPL	CUD56313580 310F7 GPL	CUD56313580 1.310F7			
1	5683090	SUPPORT FRAME ECO3				
2	5681390	LEFT PANEL LUNA 3				
3	5681380	RIGHT PANEL LUNA 3				
4	5115970	FRONTAL PANEL LUNA3				
5	5110290	BRACKET-UPPER SUPPORT				
6	5109640	BRACKET-LOWER SUPPORT				
8	5408080	PRESSURE SWITCH PIPE L=270				
9	5108700	RESTRICTOR-AIR INTAKE				
10	5207060	FLUE ADAPTOR				
11	5407890	GASKET ADAPTOR				
12	5108890	PLATE BLANKING				
13	5407400	SUCTION CAP GASKET				
15	609530	JOINT ASSEMBLY				
17	5213750	CONVEYOR BEND LUNA3				
18	5413850	PRESS.SENS.VENTURI SINGLE TAP				
21	5402050	WASHER-SEALING				
22	5660110	FAN 1 SPEED				
23	617240	PRESSURE SWITCH ASSEMBLY	C139			
23	710794000	PRESSURE SWITCH ASSEMBLY		C140	YES	
24	5407930	PIPE - VALVE COMPENSATION	B923			
24	5414320	PIPE-VALVE COMPENS.4,5x8 L=170		B924	YES	
25	5689400	FLUE CONVE. ASS.LUNA3 CANADA				
27	5680950	COMBUSTION CHAMBER ASS. 31KW				
28	5213190	INSULATING PANEL				
29	5213290	INSULATION - REAR PANEL				
30	5213340	INSULATING PANEL				
31	5111850	PANEL-COMB CHAMBER-105				
32	5689340	HEAT.EXCHANGER ASS. 31KW CANAD				
33	5403130	O-RING 22 x 3				
34	5112510	CLIP - HEAT EXCHANGER - FIXING				
35	5608840	EXPANSION VESSEL				
36	5653290	PIPE - EXPANSION VESSEL				
37	5655750	PANEL-COMBUSTION BOX				
38	5401610	VIEWING WINDOW GASKET				
39	5203930	VIEWING WINDOW				
40	5115590	SURROUND-SIGHT GLASS				
41	5653300	BURNER ASSEMBLY (15 ELEMENTS)				
42	5604090	BURNER ELEMENT				
43	5680970	GAS RAMP WITH INJECT. (D.1,28)				
43	5689490	GAS RAMP ASS. 15 HOLES D.0,90				
44	608430	TRANSFORM. KIT N.G. (15x1,28)				

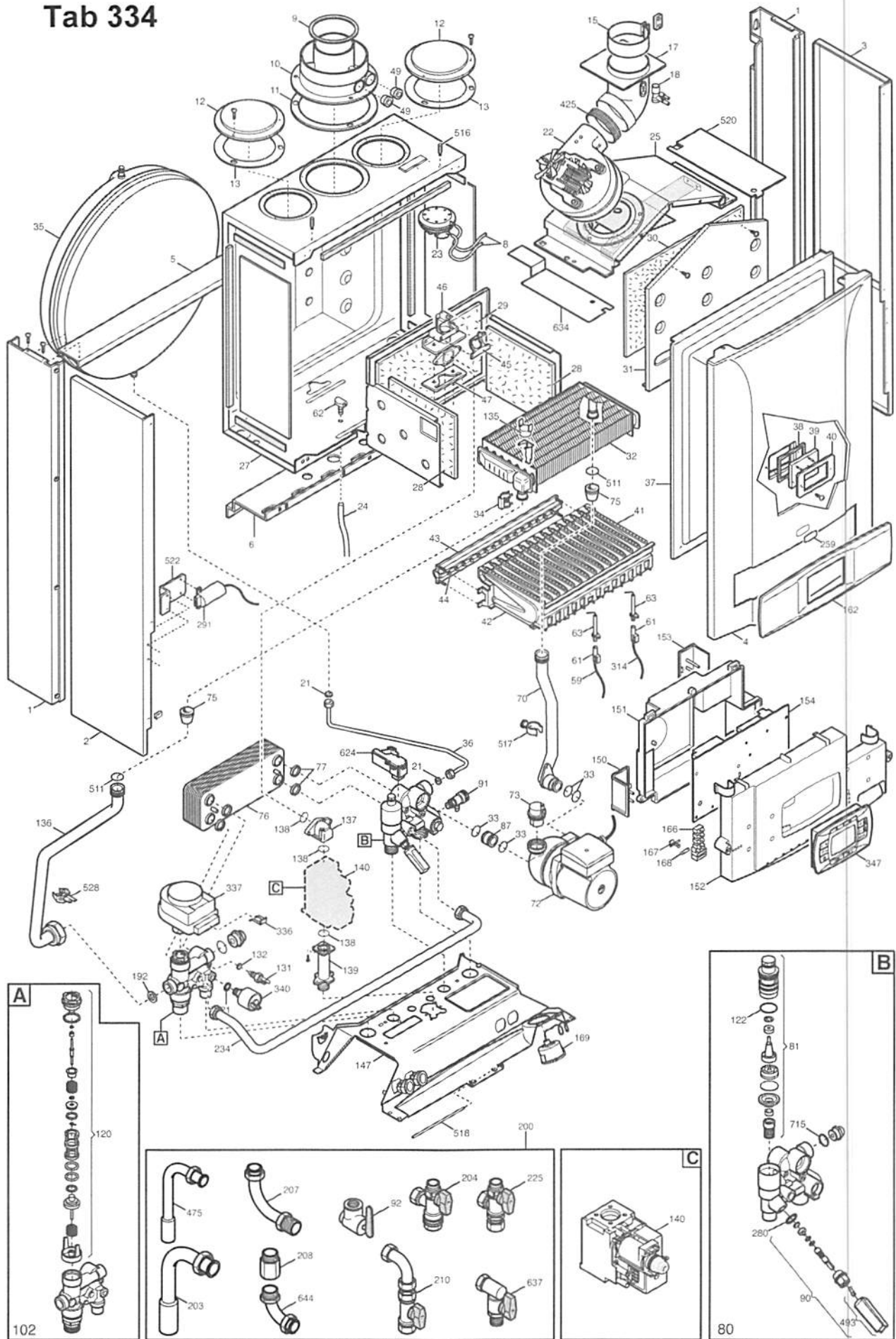
LUNA3 COMFORT

Pos	Code	Description code	CUDA56313381 310F1	CUDA56313380 310F1	CUDA56313381 310F1	CUDA56313380 310F1	CUDA56313381 310F1	CUDA56313380 310F1	To serial number	From serial number	Intercha ngeable:
44	613080	LPG INJECTORS KIT (D.0,90)			
45	5407940	GASKET-BURNER MANIFOLD			
46	5657180	ADAPTOR-MANIFOLD			
47	5407810	GASKET-MANIFOLD ADAPTOR			
49	5207070	FLUE SAMPLE PLUG			
59	8419050	LEAD - IGNITION ELECTRODE			
61	5407830	INSULATION BOOT - ELECTRODE			
62	5409570	SEALED CHAMBER HOSE ADAPTER			
63	8422570	ELECTRODE - IGNITION			
70	5688850	ASSEMBLY PIPE PUMP/EXCHANGER			
72	5689390	PUMP WITH CON. UP15-60 A0 120V			
73	607290	AUTOMATIC AIR VENT			
75	5404670	GROMMET - PIPE ASSEMBLY			
76	5686680	DHW PLATE EXCHANGER 14 PLATE			
77	5404520	DHW PLATE EXCHANGER GASKET			
80	5659060	HYDRAULIC INLET GROUP			
80	5687130	ES-RR ASS. C/RID12L 15.0634			
80	5696370	HYDR.INL.GR.WITH OUT BYPASS10L			
81	620340	FILTER-TRASDUC GROUP -100078-			
87	5210710	PUMP CONNECTING ELEMENT			
90	611930	FILLING GROUP			
91	5652030	DRAINING TAP			
92	5669850	SECURITY VALVE ASS.30 PSI			
98	5213880	BY-PASS PIPE CUBE			
98	5672770	BY-PASS PIPE ASSEMBLY			
99	8380850	FIXING CLIP			
102	5683540	3 WAY VALVE/MB GROUP LUNA3			
102	5687140	MR-US ASSEM LUNA3 15.0633			
102	5696040	3 WAY VALVE ASS.W.OUT BY-PASS			
113	617100	BY-PASS GR.			
119	605760	HYDRAULIC VENTURI ASSEMBLY			
120	600750	SPACER ASSEMBLY			
120	626710	DHW PADDLE GROUP -10.0355-	B846		
120	627880	DHW PADDLE GROUP -10.0397-		B847	YES
122	5405370	O-RING			
131	8434820	TEMPERATURE SENSOR			
132	5402830	WASHER - SENSOR SEALING			
135	9951610	LIMIT THERMOSTAT 105°C			
136	5685320	EXCHANGER PIPE ASS. M.R. AVANT			
137	5210700	ELBOW - GAS FLOW OUTLET			
138	5402010	O RING 22.22x2.62			
139	5210630	CONNECTOR - GAS VALVE INLET			

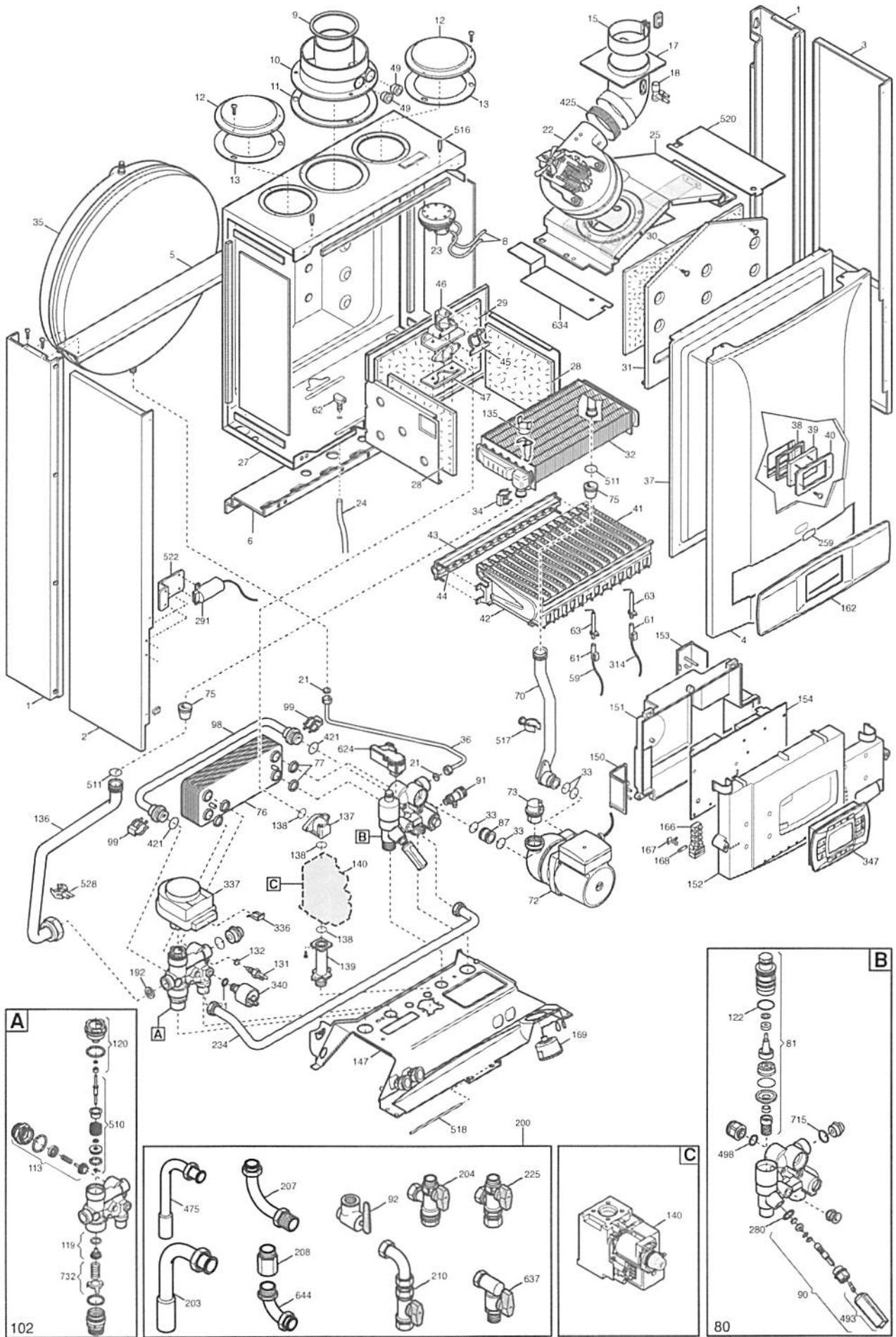
LUNA3 COMFORT

Pos	Code	Description code	Part Numbers							To serial number	From serial number	Interchangeables
			1.310Fi CPL	CUD456313580	1.310Fi	CUD456313580	310Fi CPL	CUD456313581	310Fi			
140	5689330	GAS VALVE SIT 845 SIGMA 120V	•	•	•	•	•	•				
147	5689910	SUPPORT FRAME LUNA3			•	•	•	•				
147	5683010	CONNECTION TRAVERSE LUNA3	•	•								
150	5413370	COVER TERMINAL BLOCK	•	•	•	•	•	•				
151	5413360	COVER CONTROL BOX LUNA3	•	•	•	•	•	•				
152	5413350	CONTROL PAN.LUNA3 COMFORT CANA	•	•	•	•	•	•				
153	5408580	TERMINAL BOARD COVER	•	•	•	•	•	•				
154	5689370	PCB B&P DIMS 28 -120V-	•	•	•	•	•	•				
162	5682660	COVER ASSEMBLY	•	•	•	•	•	•				
166	8423320	TERMINAL BOARD	•	•	•	•	•	•				
167	5405340	FUSE HOLDER	•	•	•	•	•	•				
168	8422730	FUSE 3,15A 250V	•	•	•	•	•	•				
169	9951650	MANOMETER D.40	•	•	•	•	•	•				
191	5408970	WASHER - SEALING G1/2	•	•								
192	5404650	SEALING WASHER G 3/4	•	•	•	•	•	•				
200	5669870	HYDRAULIC CONN. 1.310Fi CANADA	•	•								
200	5669930	CONNECTION ASS 310Fi CANADA			•	•	•	•				
203	5660140	PIPE ASSEMBLY D.18	•	•	•	•	•	•				
204	9951280	DOMES. WATER INLETPE ASS.G1/2			•	•	•	•				
207	5656440	ELBOW-DHW OUTLET			•	•	•	•				
208	5213660	HEATING RET.CONNECT. EXTENSION	•	•	•	•	•	•				
210	5660130	GAS TAP GR. CANADA	•	•	•	•	•	•				
216	5626790	FILLING TAP	•	•								
225	5669880	HEATING RETURN PIPE WITH FIL.	•	•	•	•	•	•				
234	5689310	FILLING PIPE ASS.LUNA3 CANADA			•	•	•	•				
259	5681120	BRAND BAXI LUNA3	•	•	•	•	•	•				
280	5207730	GASKET 14,2X18X1,5			•	•	•	•				
291	5659850	IGNITER WITH CABLE	•	•	•	•	•	•				
314	8418870	LEAD - SENSING ELECTRODE	•	•	•	•	•	•				
336	8380680	CLIP-RETAINING	•	•	•	•	•	•				
337	5676540	3 WAY VALVE MOTOR	•	•	•	•	•	•	C007			
337	5696390	3 WAY VALVE MOTOR 120V			•	•	•	•				
337	5696390	3 WAY VALVE MOTOR 120V	•	•	•	•	•	•		C008		
340	5687030	PRESSURE SWITCH	•	•	•	•	•	•				
347	5682690	REMOTE CONTROL ASSEMBLY	•	•	•	•	•	•				
421	5408270	O-RING 11,91 X 2,62 NBR	•	•	•	•	•	•				
425	5412270	GASKET FAN HT	•	•	•	•	•	•				
464	5644810	TAP G 3/4 WITH RETAINING VALVE	•	•								
471	5669840	FILLING PIPE ASSEMBLY	•	•								
475	5660150	PIPE ASS. D.14	•	•	•	•	•	•				
482	5637610	FILLING PIPE	•	•								
493	605660	FILLING KNOB ASSEMBLY			•	•	•	•				

Tab 334



Tab 274



Tab 273

